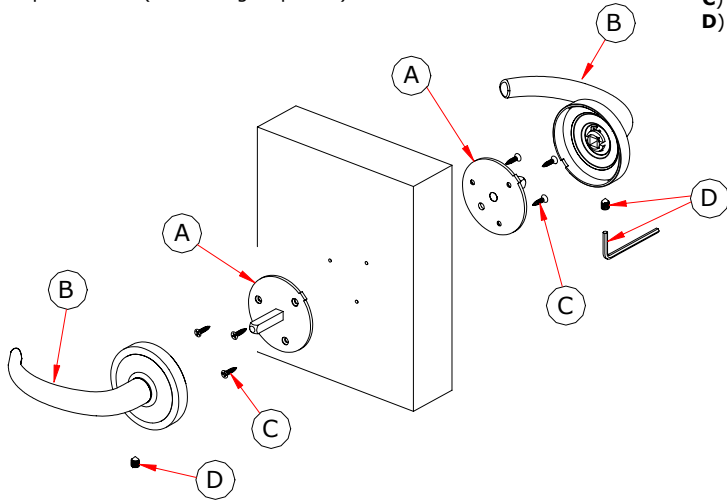


DUMMY TRIM INSTALLATION INSTRUCTIONS

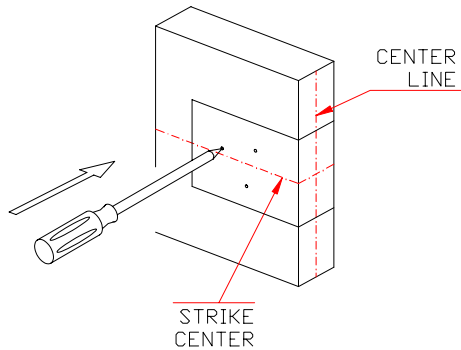
LARGE ROSE APPLICATION

Dummy lever and knob sets are designed to work on doors that are not pre-drilled. (No boring required).

- A) Dummy backplate
- B) Lever and rose trim set
- C) Backplate screws
- D) Set screws

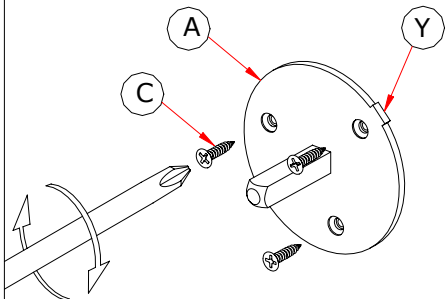


BEFORE ASSEMBLING THE SET, CAREFULLY READ THE INSTALLATION INSTRUCTIONS: **FIG.1**



STEP 1)
MARK LOCATION FOR SCREW HOLES ON THE DOOR USING TEMPLATE SUPPLIED BY MANUFACTURER

FIG.2



STEP 2)
SECURE THE DUMMY BACKPLATE (A) WITH THE SCREWS (C) CONNECTING WITH THE MARKED SCREW HOLES. ENSURE THAT THE BACKPLATE TAB (Y) IS ON THE TOP.

FIG.3

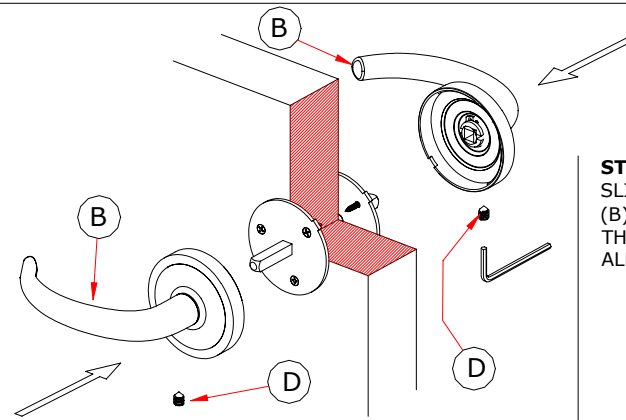


FIG.4

STEP 3)
SLIDE THE LEVER AND ROSE TRIM SET (B) ONTO THE DOOR. SECURE WITH THE SET SCREWS (D) USING THE ALLEN KEY.

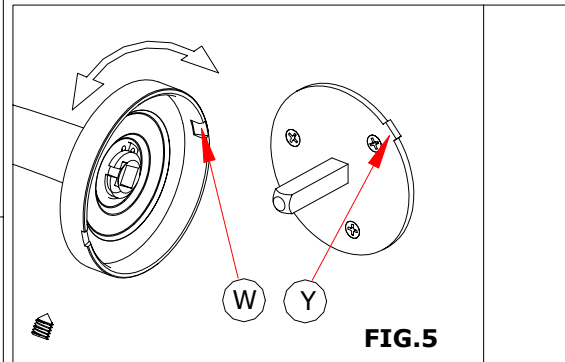


FIG.5

WHILE ASSEMBLING THE SET, TURN THE ROSE TO ALIGN THE NOTCH (W) INTO THE DUMMY BACKPLATE TAB (Y)

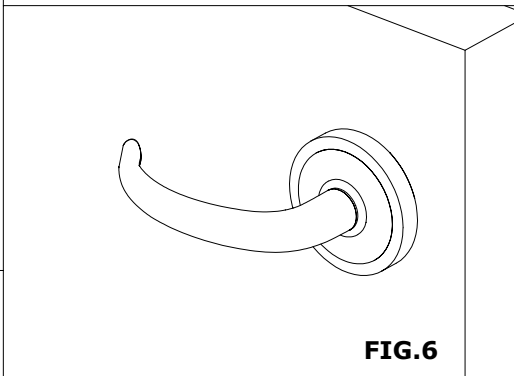


FIG.6

STEP 4)
THE SET PROPERLY INSTALLED SHOULD CORRESPOND TO FIGURE 6.

frascio

COD.4I02059