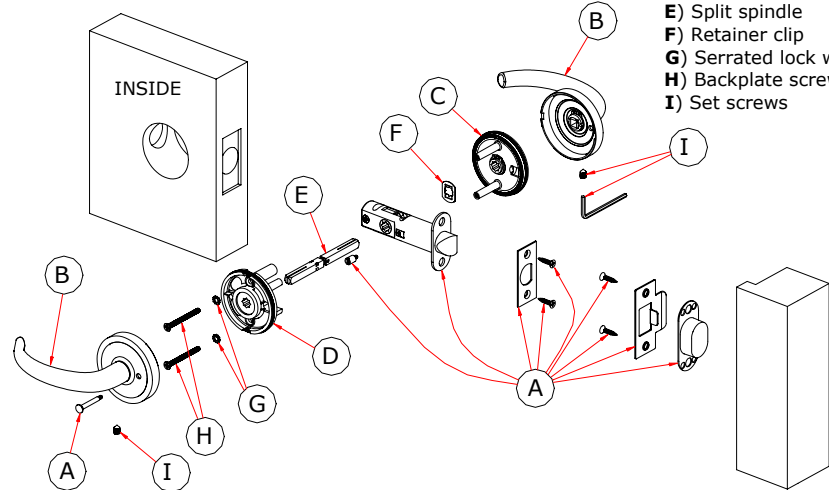


# PRIVACY TRIM INSTALLATION INSTRUCTIONS

## LARGE ROSE APPLICATION

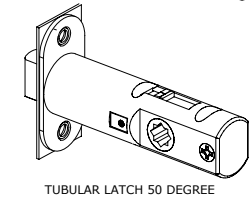
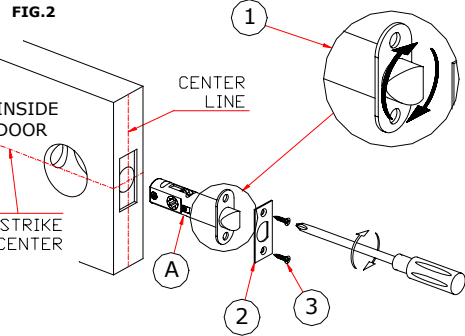
Privacy sets require a 2 1/8" bore and a 1" edge bore.

- A) Privacy latch kit components
- B) Lever and rose privacy trim set
- C) Blackplate outside
- D) Blackplate inside
- E) Split spindle
- F) Retainer clip
- G) Serrated lock washer
- H) Backplate screws
- I) Set screws

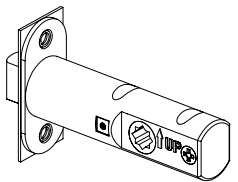


BEFORE ASSEMBLING THE SET, CAREFULLY READ THE INSTALLATION INSTRUCTIONS.

FIG. 1



TUBULAR LATCH 50 DEGREE



TUBULAR LATCH 28 DEGREE

**STEP 1)** THE DOOR SHOULD BE PREPARED USING THE TUBULAR LATCH DOOR PREPARATION TEMPLATE SUPPLIED WITH THE LEVERSET. IF TEMPLATE ALIGNMENT AND DRILLING HAVE BEEN CARRIED OUT PROPERLY, THE RESULT SHOULD CORRESPOND TO FIGURE 2.

INSERT THE LATCH (A) INTO THE EDGE BORE AND TURN THE BOLT IN THE CORRECT POSITION (PICTURE 1). SECURE THE FACEPLATE (2) WITH ITS SCREWS (3).

**NOTE:** FOR INSTALLATION USING A 28 DEGREE ROTATION LATCH, TAKE NOTE OF THE "UP" DESIGNATION ON THE SIDE OF THE LATCH TUBE AND INSERT LATCH WITH PROPER ORIENTATION.

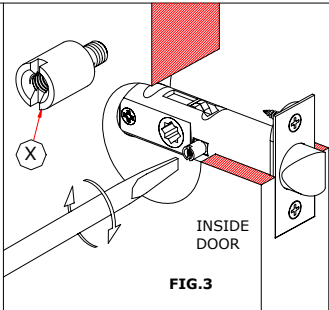


FIG. 3

**STEP 2)** IF THE DOOR THICKNESS IS MORE THAN 1 5/8" (42MM) THREAD THE BRASS EXTENSION INTO THE PRIVACY LUG (X) ON THE INTERIOR SIDE OF THE DOOR. THIS STEP SHOULD NOT BE NECESSARY FOR 1 3/8" THICK DOORS.

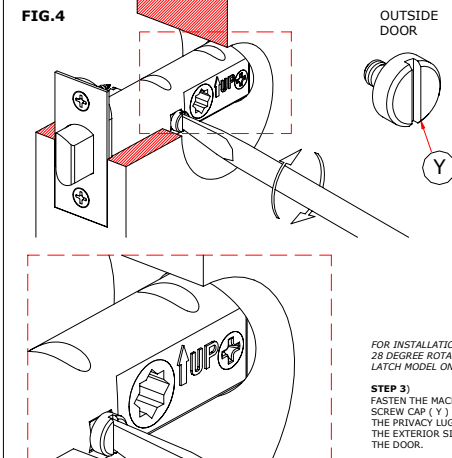


FIG. 4

FOR INSTALLATION OF 28 DEGREE ROTATION LATCH MODEL ONLY:

**STEP 3)** FASTEN THE MACHINE SCREW CAP (Y) INTO THE PRIVACY LUG ON THE EXTERIOR SIDE OF THE DOOR.

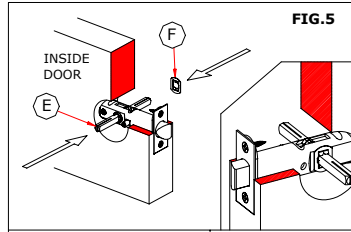


FIG. 5

**STEP 4)** INSERT THE PRIVACY SPINDLE (E) INTO THE LATCH FROM INSIDE OF DOOR. GROOVED CUTOUT ON SPINDLE MUST FACE DOWN. FROM EXTERIOR SIDE OF DOOR, PRESS RETAINER CLIP (F) ONTO SPINDLE, MAKING SURE THAT THE CLIP AND SPINDLE NOTCHES ARE SNUG AGAINST THE KATCH HUB.

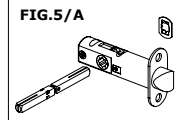


FIG. 5/A

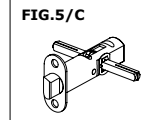


FIG. 5/C

### TOP VIEW

IN ORDER TO MAINTAIN THIS POSITION OF THE SPINDLE, SLIDE THE RETAINING CLIP ONTO THE OPPOSITE END OF THE SPINDLE UNTIL IT MAKES CONTACT WITH THE OTHER SIDE OF THE LATCH. THE RESULT SHOULD CORRESPOND TO FIGURE 5/A FIGURE 5/B FIGURE 5/C

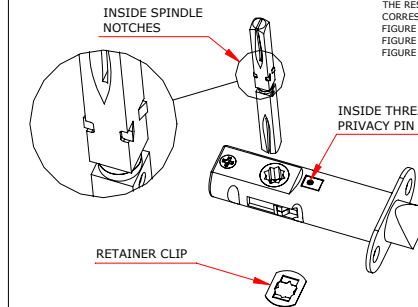


FIG. 5/B

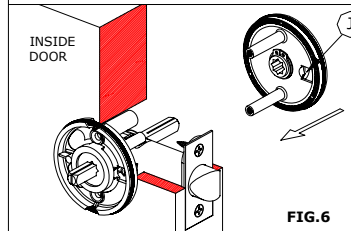


FIG. 6

**STEP 5)** PLACE BOTH BACKPLATES ONTO SPINDLE AND SLIDE THEM FLUSH AGAINST THE DOOR. **IMPORTANT:** THE HOLE (J) HAS TO BE ALIGNED WITH THE LATCH PRIVACY MECHANISM.

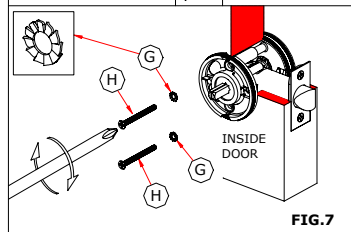


FIG. 7

**STEP 6)** FASTEN THE BACKPLATES USING SCREWS (H) AND RETAINER WASHER (G).

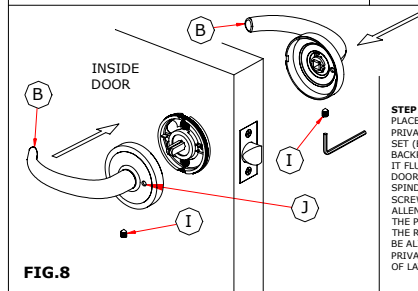


FIG. 8

**STEP 7)** PLACE THE LEVER AND PRIVACY ROSE TRIM SET (B) ONTO THE BACKPLATE AND SLIDE IT FLUSH AGAINST THE DOOR, FASTEN TO SPINDLE WITH SET SCREWS (I) USING THE ALLEN KEY. THE PRIVACY HOLE ON THE ROSE (J) HAS TO BE ALIGNED WITH THE PRIVACY MECHANISM OF LATCH.

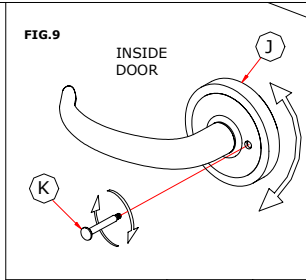


FIG. 9

**STEP 8)** THREAD PRIVACY PIN (K) INTO LATCH FROM INSIDE DOOR AND VERIFY PROPER OPERATION. IF DURING THE INSTALLATION OF THE SET THE PRIVACY HOLE IS NOT CORRECTLY ALIGNED TO THE LATCH PRIVACY MECHANISM, TURN THE ROSE (J) CLOCKWISE OR COUNTERCLOCKWISE AS NEEDED.

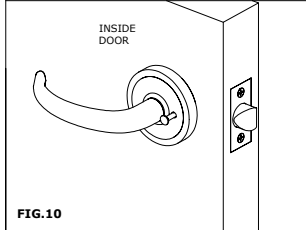


FIG. 10

**STEP 9)** THE SET PROPERLY INSTALLED SHOULD CORRESPOND TO FIGURE 10.

**NOTE:** HORIZONTAL POSITION OF LEVER CAN BE ADJUSTED SLIGHTLY REMOVING TRIM SET, LOOSENING THE BACKPLATE SCREWS, AND RETIGHTENING SCREWS AND REPLACING TRIM.

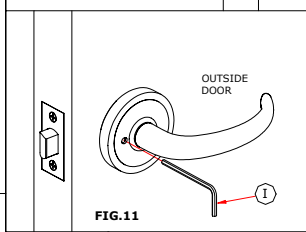


FIG. 11

**STEP 10)** IN AN EMERGENCY THE PRIVACY CAN BE RELEASED FROM OUTSIDE WITH A SMALL TOOL OR WITH THE ALLEN KEY SUPPLIED WITH THE SET.

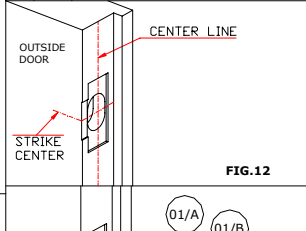


FIG. 12

**STEP 11)** PREPARE THE DOOR FRAME AS INDICATED ON THE LATCH TEMPLATE USING THE SAME HORIZONTAL CENTER LINE FOR THE STRIKEPLATE.

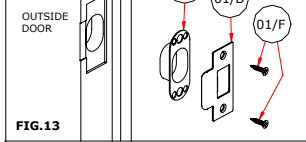


FIG. 13

**STEP 12)** PREPARED THE DOOR FRAME AS NEEDED TO ACCEPT THE DUST BOX AND STRIKEPLATE. FASTEN DUST BOX (01/A) AND STRIKEPLATE (01/B) WITH STRIKE SCREWS (01/F).

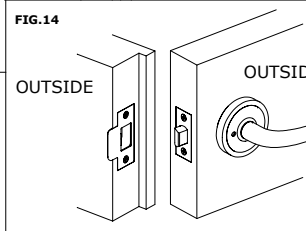


FIG. 14

**STEP 13)** TO COMPLETE INSTALLATION OF TRIM SET DO A FINAL CHECK TO VERIFY PROPER OPERATION. NOTE THAT THE LATCH BOLT MUST CORRECTLY FIT INTO THE STRIKEPLATE TO FUNCTION PROPERLY. RECHECK DOOR PREPARATION AND INSTALLATION STEPS IN CASE THE SET DOESN'T WORK PROPERLY.

Frascio

COD. 4102059