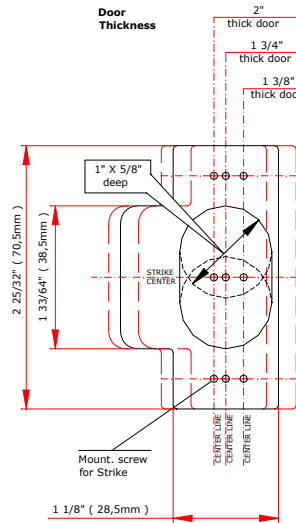


### DOOR PREPARATION TEMPLATE FOR TUBULAR LATCHSET

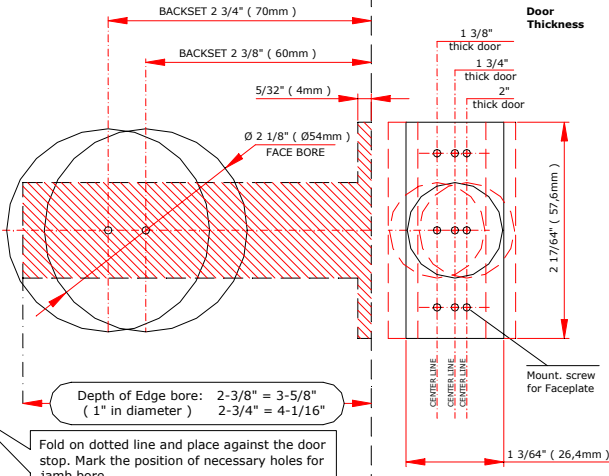
IMPORTANT: READ ALL INSTRUCTIONS CAREFULLY BEFORE PREPARING DOOR

#### STRIKE TEMPLATE



#### LATCH TEMPLATE

Fold on dotted line and attach to the door at desire height. Mark the position of necessary holes for Face and Edge bores.



"Machining dimensions in millimeters are exact. Inch dimensions are provided as a reference."

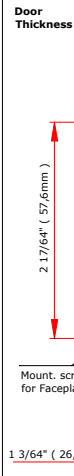
### DOOR PREPARATION TEMPLATE FOR TUBULAR LATCHSET

IMPORTANT: READ ALL INSTRUCTIONS CAREFULLY BEFORE PREPARING DOOR

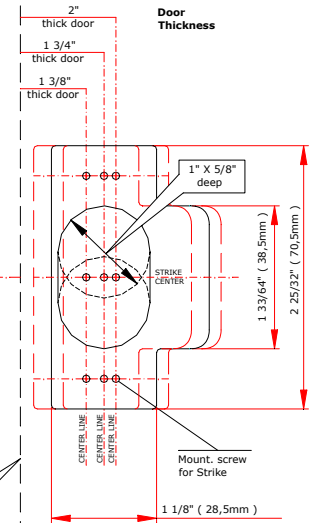
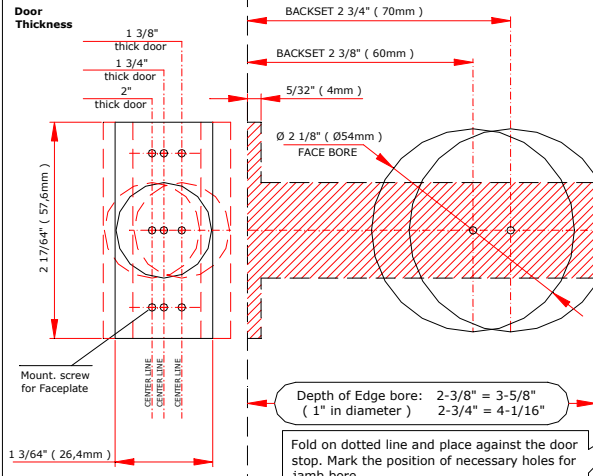
#### Door Edge

#### Door Face LATCH TEMPLATE

#### STRIKE TEMPLATE



Fold on dotted line and attach to the door at desire height. Mark the position of necessary holes for Face and Edge bores.

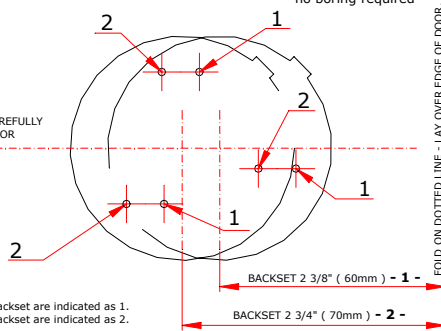


"Machining dimensions in millimeters are exact. Inch dimensions are provided as a reference."

#### DUMMY TRIM TEMPLATE 1903/1904/1905 - Surface mount only, no boring required

COD.4101001

IMPORTANT: READ ALL INSTRUCTIONS CAREFULLY BEFORE PREPARING DOOR



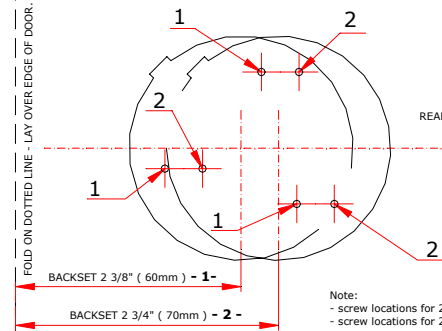
Note:  
- screw locations for 2-3/8" backset are indicated as 1.  
- screw locations for 2-3/4" backset are indicated as 2.

frascio

#### DUMMY TRIM TEMPLATE 1903/1904/1905 - Surface mount only, no boring required

COD.4101001

IMPORTANT: READ ALL INSTRUCTIONS CAREFULLY BEFORE PREPARING DOOR



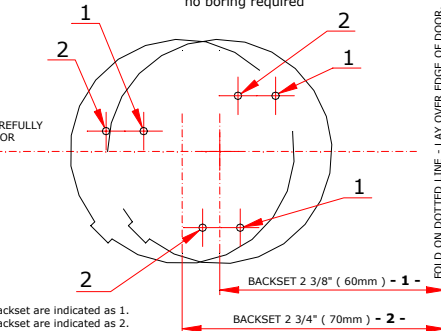
Note:  
- screw locations for 2-3/8" backset are indicated as 1.  
- screw locations for 2-3/4" backset are indicated as 2.

frascio

#### DUMMY TRIM TEMPLATE 1912 - Surface mount only, no boring required

COD.4101001

IMPORTANT: READ ALL INSTRUCTIONS CAREFULLY BEFORE PREPARING DOOR



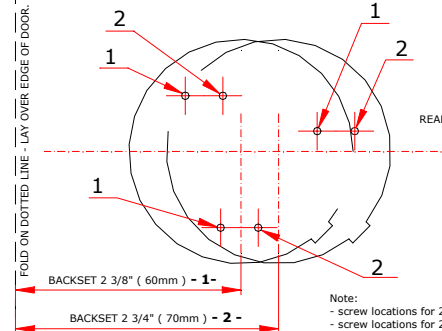
Note:  
- screw locations for 2-3/8" backset are indicated as 1.  
- screw locations for 2-3/4" backset are indicated as 2.

frascio

#### DUMMY TRIM TEMPLATE 1912 - Surface mount only, no boring required

COD.4101001

IMPORTANT: READ ALL INSTRUCTIONS CAREFULLY BEFORE PREPARING DOOR



Note:  
- screw locations for 2-3/8" backset are indicated as 1.  
- screw locations for 2-3/4" backset are indicated as 2.

frascio