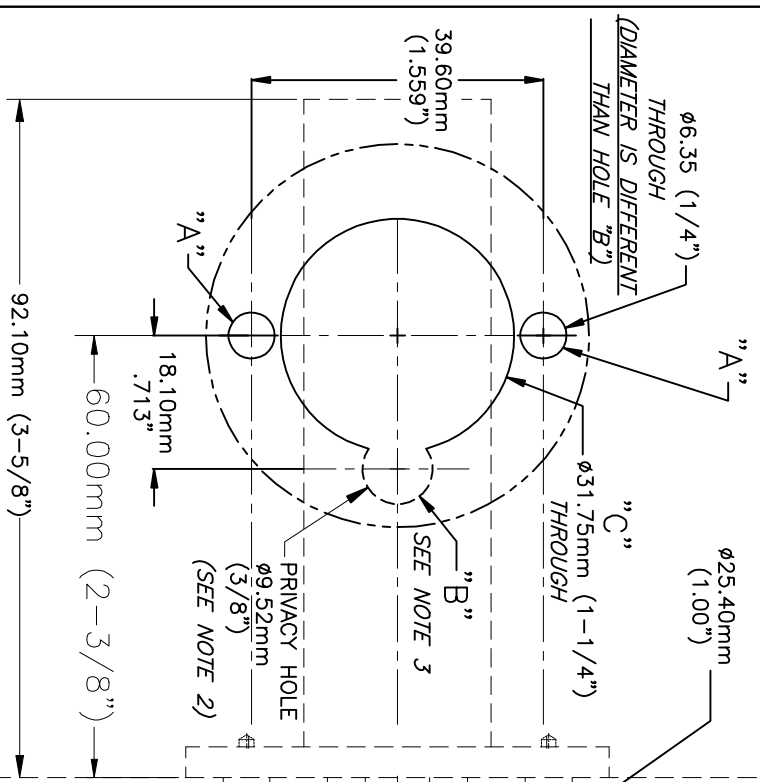


USE THIS SIDE FOR BACKSET: **60.00 (2-3/8")**

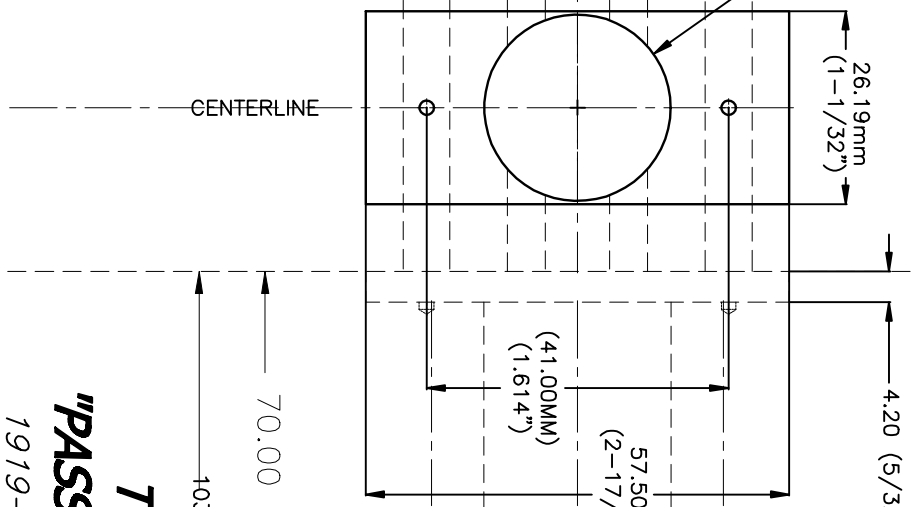
NOT TO SCALE

SEE NOTE 3



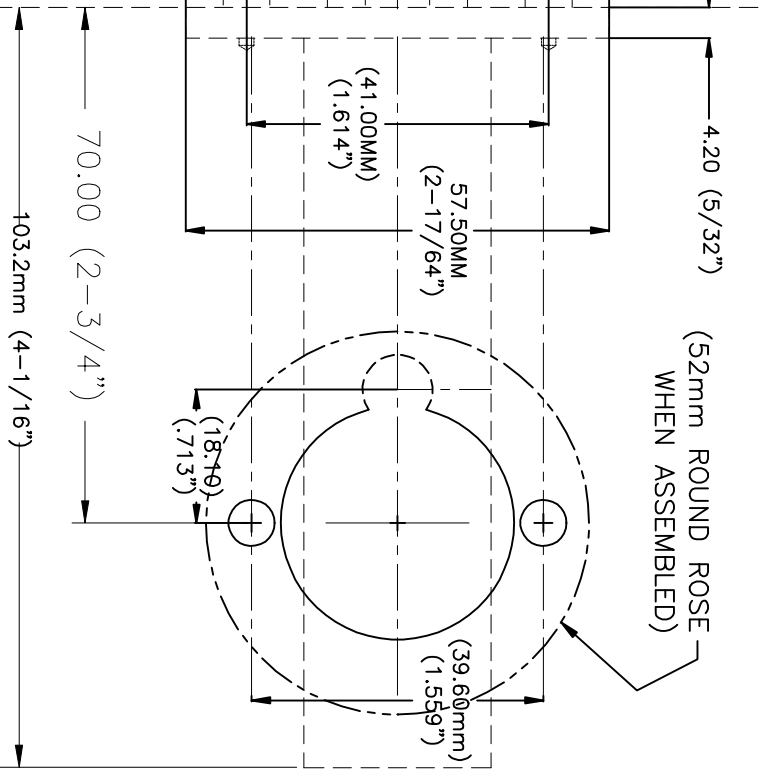
44.45MM
1-3/4" THICK

EDGE EDGE



USE THIS SIDE FOR BACKSET: **70.00 (2-3/4")**

NOT TO SCALE



- NOTES:
1. THIS TEMPLATE PROVIDES INFORMATION FOR EITHER 2-3/8" OR 2-3/4" BACKSETS. USE THE APPROPRIATE DIMENSIONS FOR THE CORRECT BACKSET.
 2. THIS TEMPLATE PROVIDES INFORMATION FOR BOTH PASSAGE OR PRIVACY LATCHES. ADDITIONAL HOLE "B" IS DRILLED FOR PRIVACY LATCHES--HOLE "B" NOT REQUIRED FOR PASSAGE LATCH.
 3. DRILL HOLES "A" (AND "B" IF REQUIRED FOR PRIVACY) BEFORE HOLE "C".

NOT TO SCALE

TUBULAR LATCH
"PASSAGE" OR "PRIVACY"
1919-DOOR PREPARATION GUIDE
12-6 ORIENTATION, 39.6mm C-C
2-3/8" OR 2-3/4" BACKSET
NOT TO SCALE

DP-115 1919 DOOR PREP-PASSAGE/PRIVACY 12-6 ORIENTATION
Originated: OCT 5, 09 REVISED: 04-19-12

1. FOLD TEMPLATE ON DASH-LINE, "FOLD EDGE".
2. LINE-UP ON EDGE OF DOOR AT APPROPRIATE HEIGHT.
3. MARK AND DRILL HOLES FOR SPECIFIC LATCH (2-3/8" OR 2-3/4" "PASSAGE" OR "PRIVACY").
4. FOR EASE OF MARKING, USE TAPE TO HOLD TEMPLATE IN PLACE.