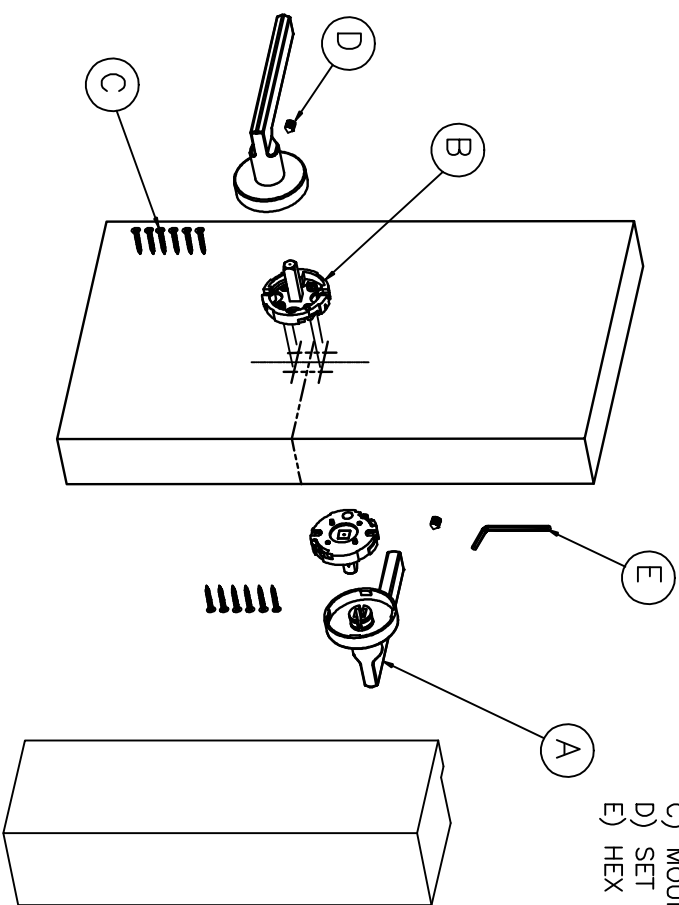


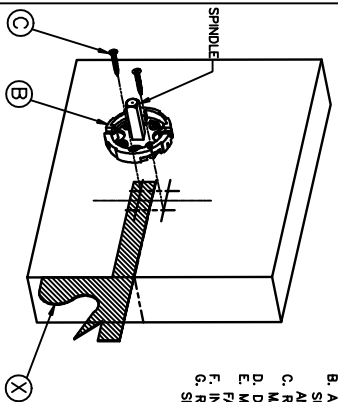
1919-DUMMY LEVER TRIM INSTALLATION INSTRUCTIONS

BEFORE ASSEMBLING, CAREFULLY READ THE INSTALLATION INSTRUCTIONS.

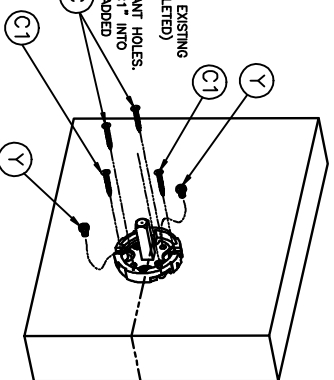
- A) LEVER/ROSE TRIMSET
- B) BACKPLATE MOUNTING BASE
- C) MOUNTING SCREWS, 6 PCS
- D) SET SCREWS, LEVER, 2 PCS
- E) HEX WRENCH, 1 PC



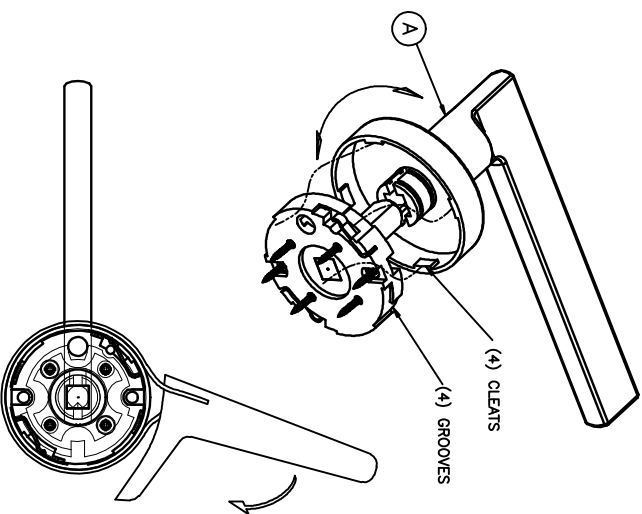
- STEP 1)
- A. USING A MEASURING TAPE AND SQUARE "X", LOCATE AND MARK THE CENTER-LINE OF THE DOOR TRIM LOCATION.
 - B. ALIGN THE 1919 DUMMY MOUNTING BASE AND SPINDLE "9", MAKING SURE THE SPINDLE IS "SQUARE" TO THE DOOR EDGE AND FLOOR, AND MARK THE (2) VISIBLE HOLES USING PENCIL.
 - C. REMOVE THE MOUNTING BASE AND CENTER-PUNCH THE PENCIL MARKS.
 - D. DRILL (2) HOLES, USING A 7/64" DRILL BIT, DRILL 1" DEEP.
 - E. MAKING SURE THE MOUNTING BASE ASSEMBLY IS SQUARE, FASTEN THE BASE/SPINDLE TO THE DOOR WITH (2) WOOD SCREWS.
 - F. INSPECT AND MAKE SURE THE SPINDLE IS SQUARE.
 - G. SETEN ON OTHER SIDE IF APPLICATION IS A FULL DUMMY TRIM-SET.



- STEP 2)
- A. REMOVE (2) SMALLER SCREWS "Y" FROM EXISTING MOUNTING BASE (AFTER STEP 1 IS COMPLETED) AND DISCARD.
 - B. INSERT (2) WOOD SCREWS "C" INTO VACANT HOLES.
 - C. INSERT (2) ADDITIONAL WOOD SCREWS "C1" INTO THE (2) ADDITIONAL VACANT HOLES FOR ADDED STRENGTH.
 - D. REPEAT ON OTHER SIDE IF A FULL DUMMY TRIMSET.



- STEP 3) (NOTE: DOOR NOTE SHOWN, TRIM IS MOUNTED TO DOOR FACE)
- A. INSERT THE INSIDE LEVER/ROSE ASSEMBLY "A" OVER THE SPINDLE AND ROTATE THE ROSE TO ALIGN THE (4) CLEATS WITH (4) MATING GROOVES IN THE DUMMY MOUNTING BASE.
 - B. ONCE ALIGNED, PUSH FIRMLY UNTIL THE ROSE IS UP AGAINST THE SURFACE OF THE DOOR.
 - C. USING A STRAP WRENCH, ROTATE THE ROSE CLOCK-WISE APPROXIMATELY 15-20° UNTIL IT IS SEATED PROPERLY.



C. ROTATE CLOCKWISE TO SECURE ROSE TO BASE (USE STRAP WRENCH AND DO NOT OVER-TORQUE)

- STEP 4)
- a. INSERT THE LEVER SET SCREWS IN THE OUTSIDE AND INSIDE LEVER AND TIGHTEN FIRMLY WITH HEX WRENCH SUPPLIED.

