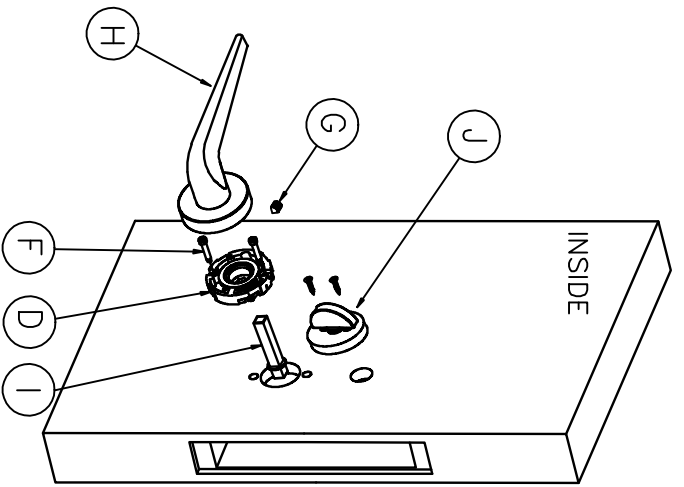
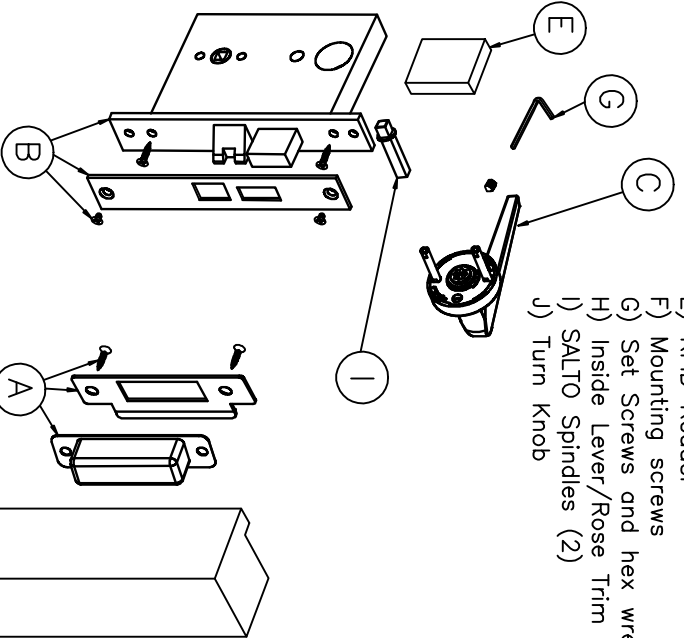


AEIelement LEVER TRIM INSTALLATION INSTRUCTIONS



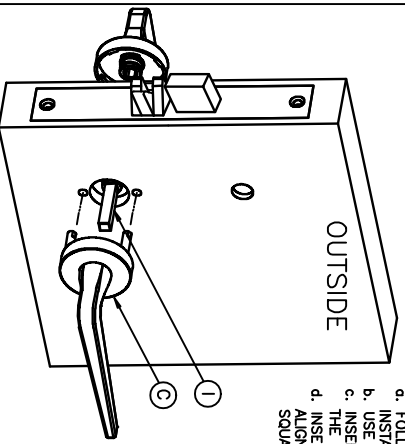
- A) Mortise Strike kit components
- B) "SALTO" Mortise lock/Faceplate
- C) Outside Lever/Rose Trim
- D) Inside Backplate Mounting Base
- E) RFID Reader
- F) Mounting screws
- G) Set Screws and hex wrench
- H) Inside Lever/Rose Trim
- I) SALTO Spindles (2)
- J) Turn Knob



BEFORE ASSEMBLING, CAREFULLY READ THE INSTALLATION INSTRUCTIONS.

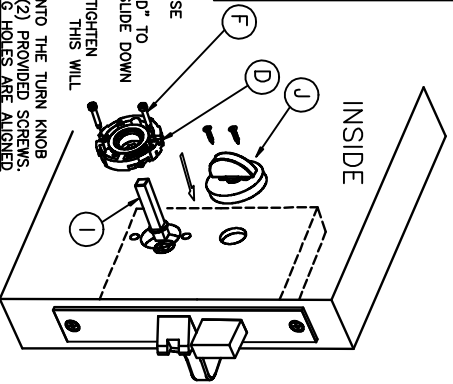
STEP 1)

- a. FOLLOW THE LOCK MANUFACTURERS INSTRUCTIONS INSTALLING THE MORTISE LOCK CASE.
- b. USE FRASCO DOOR PREP GUIDE "DP-125".
- c. INSERT THE OUTSIDE LEVER SPINDLE "I" INTO THE MORTISE LOCKCASE.
- d. INSERT THE OUTSIDE TRIMSET "C" CAREFULLY ALIGNING THE SPINDLE THROUGH APPROPRIATE SQUARE HOLE AND INTO THE LEVER.

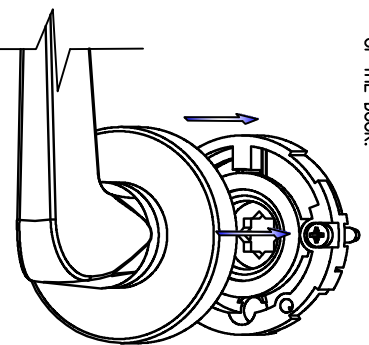


STEP 2)

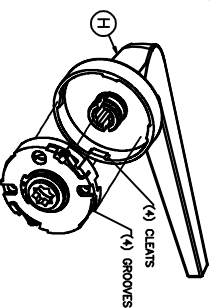
- a. INSERT THE SPINDLE "I" INTO THE MORTISE CASE HUB.
- b. ALIGN THE BACKPLATE MOUNTING BASE "D" TO THE APPROPRIATE SPINDLE HOLE AND SLIDE DOWN TO THE FACE OF THE DOOR.
- c. INSERT (2) MOUNTING SCREWS "F" AND TIGHTEN FIRMLY—DO NOT OVER-TORQUE SCREWS. THIS WILL PREVENT DOOR COMPRESSION.
- d. INSERT THE TURN KNOB ASSEMBLY "J" INTO THE TURN KNOB HUB AND FASTEN SECURELY WITH THE (2) PROVIDED SCREWS. MAKE SURE TURN KNOB ROSE MOUNTING HOLES ARE ALIGNED VERTICALLY.



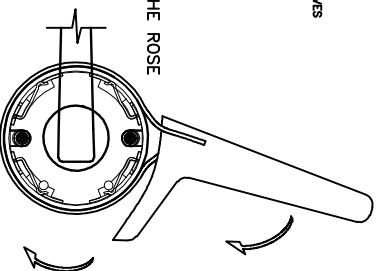
- STEP 3)**
- a. ONCE THE MOUNTING BASE IS INSTALLED, INSERT THE INSIDE LEVER/ROSE ASSEMBLY "H" OVER THE SPINDLE AND ROTATE THE ROSE ALONE TO ALIGN THE (4) CLEATS WITH (4) MATING GROOVES IN THE MOUNTING BASE. SEE IMAGE a-b BELOW.



a-b. ROTATE ROSE TO ALIGN CLEATS TO GROOVES



- c. USING A STRAP WRENCH, ROTATE THE ROSE CLOCK-WISE APPROXIMATELY 15° UNTIL THE LOCKING SPRINGS ENGAGE.



(NOTE: SHOWING INSIDE MOUNTING BASE FOR VISUAL REFERENCE ONLY.)

STEP 4)

- a. INSERT THE LEVER SET SCREWS IN THE OUTSIDE AND INSIDE LEVER AND TIGHTEN FIRMLY WITH HEX WRENCH SUPPLIED.

